

Especificaciones Clips Personalizados

AXIONCLIP

aXionclip | 01



Technology	Pad print	Digital print	Laser engraving
Print area dimensions			
Minimum order quantity	2500 pieces	500 pieces	500 pieces

aXionclip | 02



Technology	Pad print	Digital print	Laser engraving
Print area dimensions			
Minimum order quantity	2500 pieces	500 pieces	500 pieces

aXionclip | 03



Technology	Pad print	Digital print	Laser engraving
Print area dimensions			
Minimum order quantity	2500 pieces	500 pieces	500 pieces

aXionclip | 04



Technology	Pad print	Digital print	Laser engraving
Print area dimensions			
Minimum order quantity	2500 pieces	500 pieces	500 pieces

aXionclip | 05



Technology	Pad print	Digital print	Laser engraving
Print area dimensions			
Minimum order quantity	2500 pieces	500 pieces	500 pieces

aXionclip | 06



Technology	Pad print	Digital print	Laser engraving
Print area dimensions			
Minimum order quantity	2500 pieces	500 pieces	500 pieces

aXionclip | 07



Technology	Pad print	Digital print	Laser engraving
Print area dimensions			
Minimum order quantity	2500 pieces	500 pieces	500 pieces

aXionclip | 08



Technology	Pad print	Digital print	Laser engraving
Print area dimensions			
Minimum order quantity	2500 pieces	500 pieces	500 pieces

aXionclip | 09



Technology	Pad print	Digital print	Laser engraving
Print area dimensions			
Minimum order quantity	2500 pieces	500 pieces	500 pieces

aXionclip | 10



Technology	Pad print	Digital print	Laser engraving
Print area dimensions			
Minimum order quantity	2500 pieces	500 pieces	500 pieces

aXionclip | 11

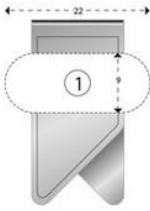

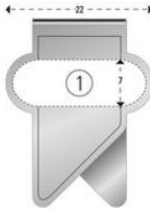


Technology	Pad print	Digital print	Laser engraving
Print area dimensions			
Minimum order quantity	2500 pieces	500 pieces	500 pieces

WINGCLIP

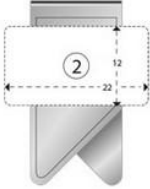
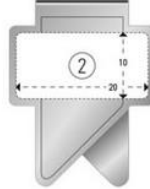
Wingclip | 01



Technology	Pad print	Digital print	Laser engraving
Print area dimensions			
Minimum order quantity	2500 pieces	500 pieces	500 pieces

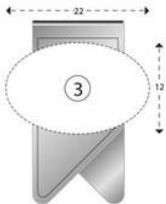
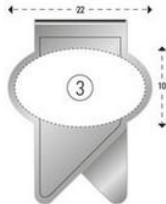
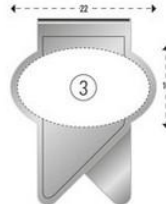
Wingclip | 02



Technology	Pad print	Digital print	Laser engraving
Print area dimensions			
Minimum order quantity	2500 pieces	500 pieces	500 pieces

Wingclip | 03



Technology	Pad print	Digital print	Laser engraving
Print area dimensions			
Minimum order quantity	2500 pieces	500 pieces	500 pieces

Wingclip | 04

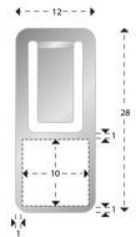
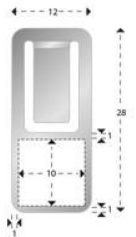


Technology	Pad print	Digital print	Laser engraving
Print area dimensions			
Minimum order quantity	2500 pieces	500 pieces	500 pieces

MARKCLIP

Markclip



Technology	Pad print	Laser engraving
Print area dimensions		
Minimum order quantity	1000 pieces	500 pieces